

BUNDLETRACKER™

**AUTOMATED AGGREGATION FOR BUNDLES TO ENSURE
ACCURATE SERIALIZATION IDENTIFICATION**



PHARMA



MEDICAL DEVICES

OPTEL's **BundleTracker™** is a fully enclosed stand-alone solution that is specially designed for item-to-bundle aggregation.

When cartons or bottles are bundled prior to shipping, the items that are packed together must be identified to establish the parent/child relationship (i.e., aggregation). Post-bundling aggregation scanning solutions cannot always be efficiently integrated into existing systems, as it can be impossible to scan the serial numbers on the bottles. In such cases, a temporary unique identifier must be assigned, cross-referenced and printed on the bottom of each item to ensure proper tracking.

After a quick installation/integration process, the **BundleTracker™** holds and moves bundles under and over the scanning devices in order to verify tracking codes at the bottom, as well as inspect the labels that will be placed on top. At the end of the process, any non-valid aggregations are rejected.

KEY FEATURES

- Data Matrix readings on each bottle/carton
- Item-to-bundle aggregation
- Ejection and reinsertion zones
- Speed up to 30 ppm
- Adapted lighting for UV or visible ink tracking code
- 21 CFR Part 11 compliance

BENEFITS

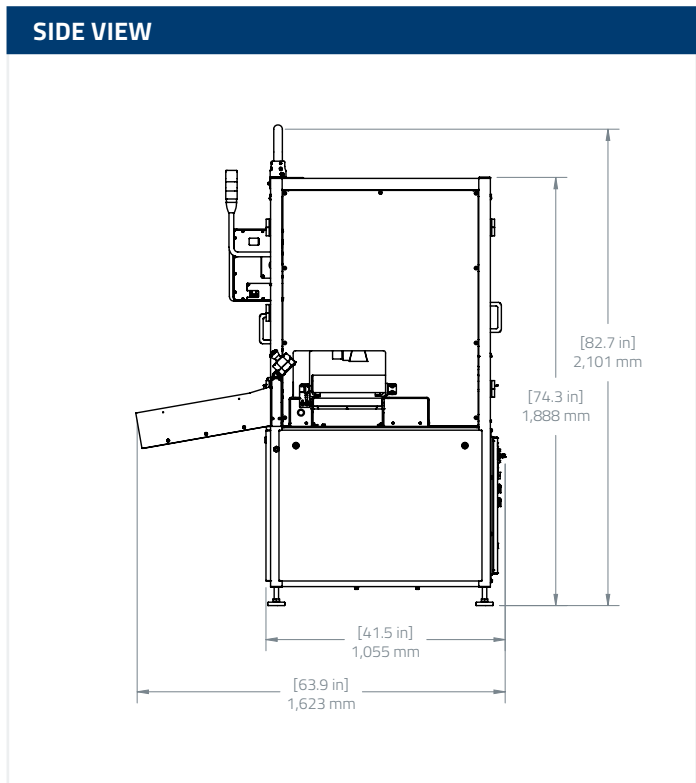
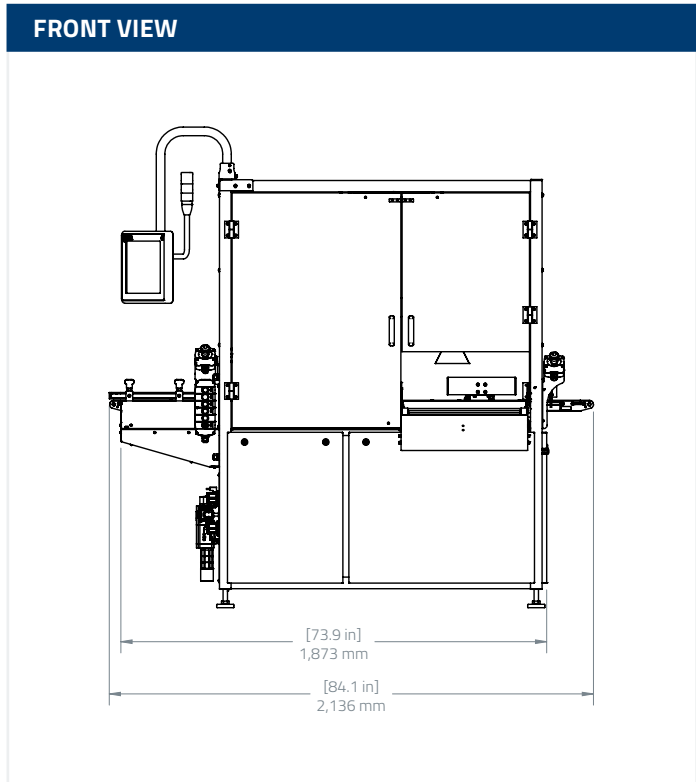
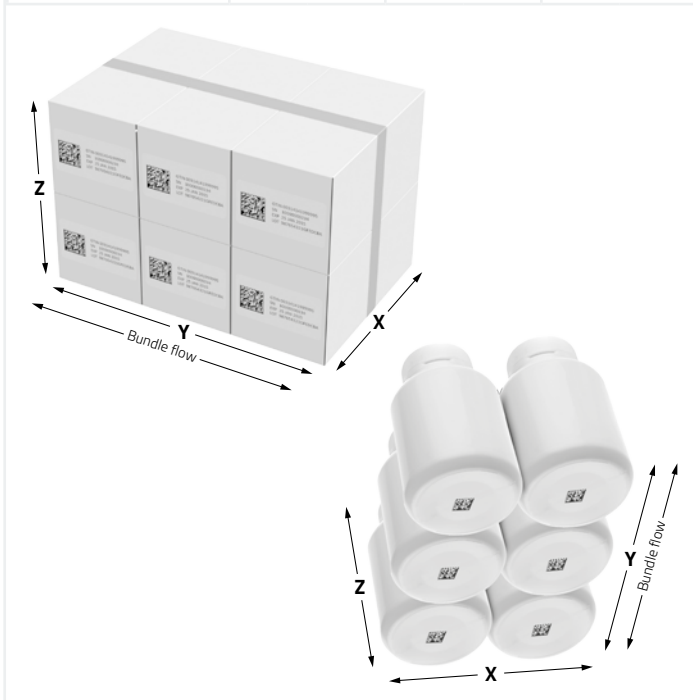
- Reduced manual operation for superior accuracy
- Turnkey installation with minimal integration time
- Toolless changeovers
- User-friendly interface

BUNDLETRACKER™

PERFORMANCE		
Designed For	Bundled bottles/cartons	
Production Rate	Up to 30 bundles/min	
VISION SPECIFICATIONS		
	Children	Parent
Field Of View	< 300 mm X 90 mm	< 150 mm X 80 mm
Decoding Capability	2D	1D, 2D
Data Matrix Module Size	From 0.34 mm	From 0.3 mm
Linear Barcode Line Width	N/A	From 0.19 mm

UTILITIES	
Power Requirements	120-240 VAC 50/60 Hz
Compressed Air	60 bars (90 psi)

LIMITATIONS AND PRINTING POSITIONS (mm)						
	X		Y		Z	
	MIN	MAX	MIN	MAX	MIN	MAX
Bundle	N/A	290	110	400	65	190



TRACKING PROCESS OVERVIEW

Tracking is used to ensure that products can be located at any time on the production line in order to prevent defective products from reaching the next step of the production process.

The illustration below depicts the BundleTracker™ and other usual peripherals used within a typical tracking process.

1 INFEEED

The bundle flow is controlled to ensure proper transition and spacing to the BundleTracker.

2 CHILDREN VERIFICATION

The codes printed on bundled items are inspected and verified by acquiring multiple images. Their Electronic Product Codes (EPCs) are sent to the LineMaster™ for verification.

3 PRINTING

A serialized bundle label is printed and applied when the children verification is successful.

4 BUNDLE LABEL INSPECTION

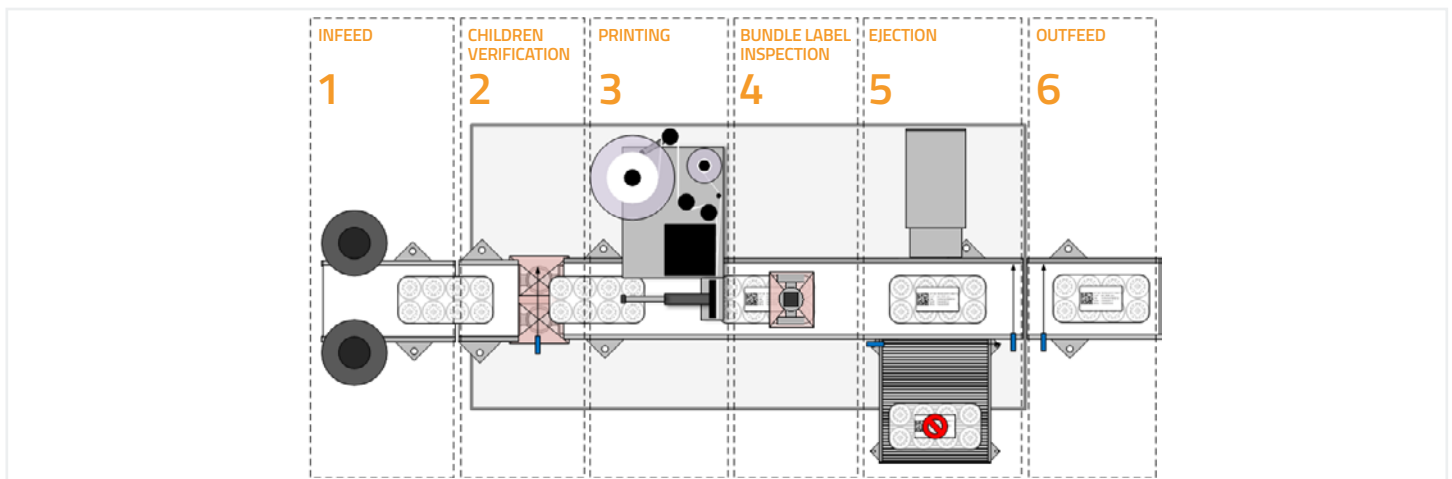
The label is inspected by comparing it to a reference image once the bundle reaches the appropriate sensor and the bundle EPC is sent to the LineMaster™ for verification. If the inspection is successful, the items are aggregated to the bundle.

5 EJECTION

If any of the previous inspections failed, the ejection of the defective bundle is performed, with confirmation that the bundle is no longer on the conveyor belt beyond the ejection zone. The LineMaster™ also changes the disposition of the bundle EPC to indicate that it is defective.

6 OUTFEED

Outfeed can be supplied by OPTEL to ensure proper integration and transition to the next downstream station as well as control bundle accumulation.



BUNDLETRACKER™ SBD001 – STANDARD SOLUTION SPECIFICATIONS

- BundleTracker™ machine
- Left-to-right product flow
- 36-inch conveyor height
- 2x cameras for bottom children verification, black ink
- OPTEL HMI
- Multi-segment LED tower light indicator
- Bypass key
- OP300 software
- Barcode analyzer
- Pneumatic ejector
- Domino M230i-T4 print-and-apply labeler for bundles
- Emergency stop for BundleTracker™
- Serialization-ready
- Camera for tracking code association

NOTES:

- Refer to limitations table
- Refer to printing position table
- Preliminary lead time: 18-22 weeks

ORDERING INFORMATION – STANDARD SOLUTION CONFIGURATION

Encompassing all of OPTEL's expertise and legacy, this standard BundleTracker™ configuration is a predesigned hardware and software solution that meets your bundle aggregation needs quickly and cost-effectively, while conforming to current industry standards.

To obtain a quote, contact your Account Director, who will work with our quote department to provide you with accurate pricing for your solution. Should these options not fit your specific requirements, feel free to discuss your needs with your Account Director, as we also provide custom solutions upon request.

ADDITIONAL INFORMATION REQUIRED FOR QUOTE

- Bundle samples (including shrink wrap)
- User Requirements Specifications (URS)
- Product matrix
- Floor layout

SALES ITEM	SOLUTION	SPECIFICATIONS
SBD001	BundleTracker™	Refer to the specifications above
SALES ITEM	OPTIONS	SPECIFICATIONS
SBD002	UV ink inspection	<ul style="list-style-type: none"> ▪ 2x cameras for bottom children verification, UV ink ▪ Ultraviolet tracking codes will be invisible to the consumer.
SBD003	Integrated Print-and-Apply Labeler	<ul style="list-style-type: none"> ▪ Domino M400 label applicator ▪ Zebra ZE500 print engine
SBD004	Spacing Wheel	<ul style="list-style-type: none"> ▪ Adjustable spacing wheels for bottles ▪ Mounting support
SBD005	Infeed Conveyor	<ul style="list-style-type: none"> ▪ Infeed conveyor, 10-inch width ▪ 36-inch conveyor height ▪ Mounting support ▪ Pads or casters available
SBD006	Outfeed Conveyor	<ul style="list-style-type: none"> ▪ Outfeed conveyor, 10-inch width ▪ 36-inch conveyor height ▪ Mounting support ▪ Pads or casters available
SBD007	Guarding	<ul style="list-style-type: none"> ▪ Extra safety guardings

NORTH AMERICA

OPTEL Canada — HEADQUARTERS
+1 418 688 0334

EUROPE

OPTEL Ireland
+353 61480965

ASIA

OPTEL India
+91 832 669 9600

SOUTH AMERICA

OPTEL Brazil
+55 19 3113 2570

optelgroup.com
© 2020 by OPTEL GROUP.
All rights reserved.

