

VIALSAFE™

PRECISE INSPECTION OF CAPS, CRIMPS,
RUBBER STOPPERS, LABELS, AND FILL LEVELS ON VIALS



OPTTEL's **VialSafe™** was specifically designed with advanced software and optical technology to provide pharmaceutical manufacturers with superior automated vision inspection. The VialSafe™ has multiple on-line inspection capabilities for caps, crimps, rubber stoppers, labels, and fill levels. The VialSafe application can verify the presence and color correctness of multi-color bands.

The simultaneous 360° OCV crimp inspection ensures that the correct information is printed on the crimp each and every time. The crimp inspection tool verifies presence, placement and integrity. The revolutionary code verification offers preset advanced vision tools, including: image unwrapping, precision stitching, OCV, and Data Matrix reading.

OPTTEL's **VialSafe** can be used on any manufactured liquid filling machines or can be installed with minimal downtime on an existing line. OPTTEL offers complete integration, training and validation. The system follows GMP guidelines and complies with FDA 21 CFR Part 11.

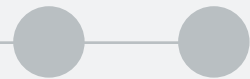
INDUSTRIES



PHARMA



OTHER



BENEFITS

- High-accuracy (low false-rejects rate)
- Enhances production efficiency, reduces downtime
- Tool-less changeovers
- Turnkey solution

KEY FEATURES

- Data management tools – connectivity with ERP/SCADA system, batch record, and device control
- Up to 2,000 products per minute
- 100% on-line inspection

PERFORMANCE

UP TO 2,000 PPM

100% ON-LINE INSPECTION

QUICK AND EASY STEPS WITH AN UNLIMITED AMOUNT OF RECIPE STORAGE

I/O CONTROL – STANDALONE UNITS (PLC INTEGRATION NOT REQUIRED)

NO CONTACT WITH PRODUCT



DATA MATRIX INSPECTION



RUBBER STOPPER INSPECTION



MULTI-COLOR BANDS INSPECTION



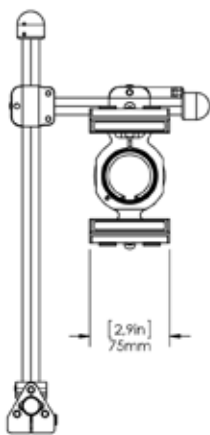
UNWRAP IMAGE OF PRINTED CODE



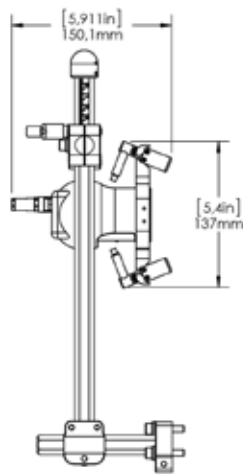
CRIMP ERROR



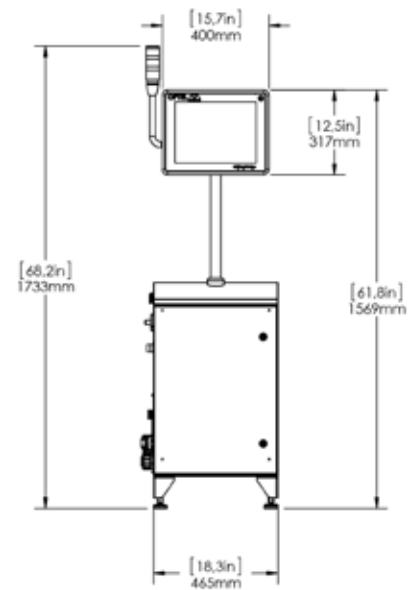
CAP COLOR



FRONTAL VIEW



SIDE VIEW



FRONTAL VIEW

The figures above illustrate an example of a typical installation. OPTTEL has a wide range of solutions to fit the particularities of your specific packaging lines. Contact us for details.

Other modules and options are also available; contact your Regional Sales Representative for more information. Find the location closest to you at: optelgroup.com



OPTTEL is proud to be a **Certified B Corporation**, a group of companies that redefines success in business and strives to not only be the best *in* the world, but also the best *for* the world.